



# Waterproof Fan

Turning the Axis of the Word!

Specialist in Thermal Solution System



PRODUCTS ARE ROHS/LEAD-FREE COMPLIANCE.

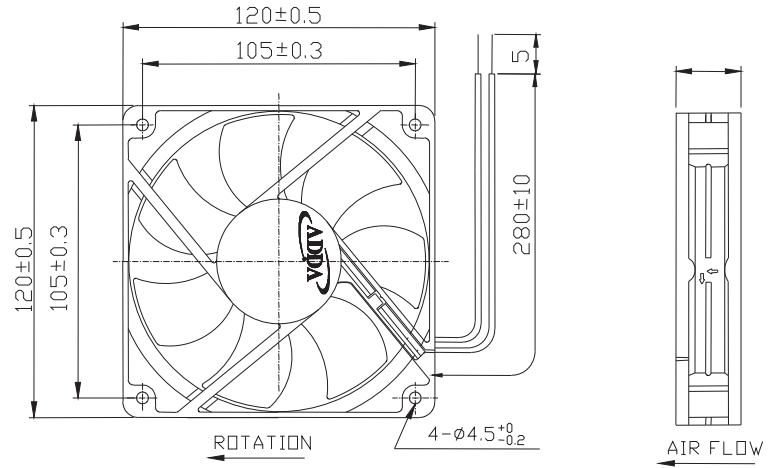


ISO 9001:2008  
QS-9000:1998  
CERTIFICATE  
No.A8935



# AQ12025 SERIES

## External Dimensions



Frame:Plastic(UL:94V-0)  
 Impeller:Plastic(UL:94V-0)  
 Lead wire:UL1007AWG24

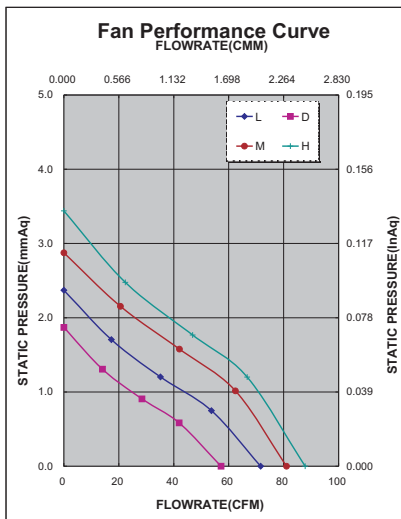
## Specifications(Nominal)

\*:Noise is measured at the distance of one (1) meter from the axis of intake.

Bearing type: ◎=Ball ※=Sleeve ○=1B1S ●=Hypro bearing

Frame size (mm)	Model No.	Bearing System Type	Rated Voltage (VDC)	Current (A)	Power (W)	Rated Speed (rpm)	Maximum AirFlow (CMM)	Maximum AirFlow (CFM)	Maximum Pressure (InAq)	Maximum Pressure (mmAq)	*Noise Level (dB/A)	Weight (g)
120x120x25	AQ1212DB-A71GL	◎	12	0.11	1.32	1500	1.618	57.205	0.074	1.879	27.4	156.0
	AQ1212LB-A71GL	◎	12	0.15	1.80	1800	2.032	71.806	0.093	2.362	34.3	
	AQ1212MB-A71GL	◎	12	0.16	1.92	2050	2.293	81.054	0.113	2.870	38.0	
	AQ1212HB-A71GL	◎	12	0.29	3.48	2200	2.486	87.870	0.134	3.403	39.1	
	AQ1224DB-A71GL	◎	24	0.06	1.44	1500	1.618	57.205	0.074	1.879	27.4	
	AQ1224LB-A71GL	◎	24	0.08	1.92	1800	2.032	71.806	0.093	2.362	34.3	
	AQ1224MB-A71GL	◎	24	0.11	2.64	2050	2.293	81.054	0.113	2.870	38.0	
	AQ1224HB-A71GL	◎	24	0.13	3.12	2200	2.486	87.870	0.134	3.403	39.1	

Specifications subject to change without notice.



\*Motor protective circuit and third lead wire functions

0	1	2	3	4	6	7	8	9	A	B
	✓	✓	✓							

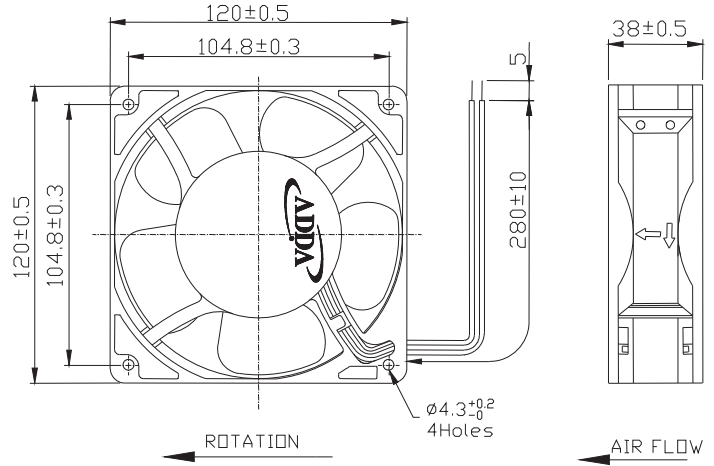
\*Safety approvals

✓	✓		✓	✓



# AQ12038 SERIES

## External Dimensions



Frame:Plastic(UL:94V-0)  
 Impeller:Plastic(UL:94V-0)  
 Lead wire:UL1007AWG24

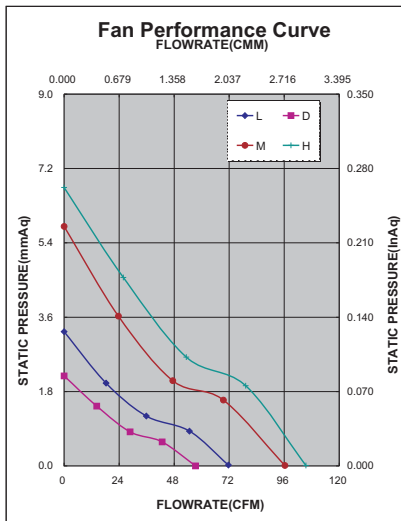
## Specifications(Nominal)

\*:Noise is measured at the distance of one (1) meter from the axis of intake.

Bearing type: ◎=Ball ※=Sleeve ○=1B1S ●=Hypro bearing

Frame size (mm)	Model No.	Bearing System Type	Rated Voltage (VDC)	Current (A)	Power (W)	Rated Speed (rpm)	Maximum AirFlow (CMM)	Maximum AirFlow (CFM)	Maximum Pressure (InAq)	Maximum Pressure (mmAq)	*Noise Level (dB/A)	Weight (g)
120x120x38	AQ1212DB-F51(F)	◎	12	0.11	1.32	1500	1.621	57.292	0.085	2.159	28.4	235.0
	AQ1212LB-F51(F)	◎	12	0.19	2.28	1950	2.027	71.635	0.128	3.251	36.2	
	AQ1212MB-F51(F)	◎	12	0.33	3.96	2540	2.725	96.300	0.228	5.791	45.0	
	AQ1212HB-F51(F)	◎	12	0.45	5.40	2800	2.984	105.461	0.265	6.731	46.7	
	AQ1224DB-F51(F)	◎	24	0.08	1.92	1500	1.621	57.292	0.085	2.159	28.4	
	AQ1224LB-F51(F)	◎	24	0.12	2.88	1950	2.027	71.635	0.128	3.251	36.2	
	AQ1224MB-F51(F)	◎	24	0.19	4.56	2540	2.725	96.300	0.228	5.791	45.0	
	AQ1224HB-F51(F)	◎	24	0.24	5.76	2800	2.984	105.461	0.265	6.731	46.7	
	AQ1248LB-F51(F)	◎	48	0.06	2.88	1950	2.027	71.635	0.128	3.251	36.2	
	AQ1248MB-F51(F)	◎	48	0.10	4.80	2540	2.725	96.300	0.228	5.791	45.0	
AQ1248HB-F51(F)	◎	48	0.18	8.64	2800	2.984	105.461	0.265	6.731	46.7		

Specifications subject to change without notice.



\*Motor protective circuit and third lead wire functions

0	1	2	3	4	6	7	8	9	A	B
	✓	✓	✓							

\*Safety approvals

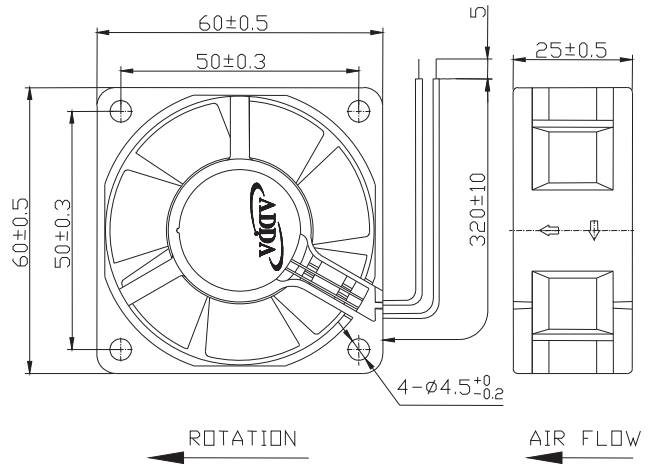
✓	✓		✓	✓



# AQ6025 SERIES



## External Dimensions



Frame:Plastic(UL:94V-0)  
 Impeller:Plastic(UL:94V-0)  
 Lead wire:UL1571AWG24

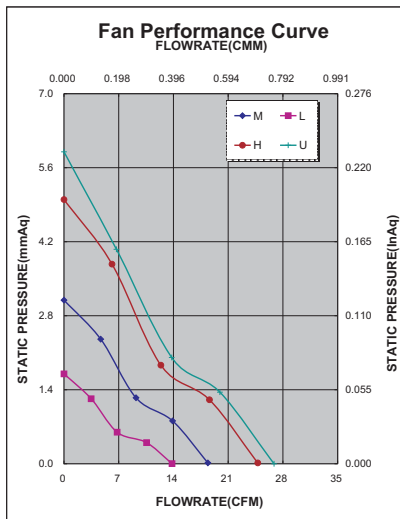
## Specifications(Nominal)

\*:Noise is measured at the distance of one (1) meter from the axis of intake.

Bearing type: ◎=Ball ※=Sleeve ○=1B1S ●=Hypro bearing

Frame size (mm)	Model No.	Bearing System Type	Rated Voltage (VDC)	Current (A)	Power (W)	Rated Speed (rpm)	Maximum AirFlow (CMM)	Maximum AirFlow (CFM)	Maximum Pressure (InAq)	Maximum Pressure (mmAq)	*Noise Level (dB/A)	Weight (g)
60x60x25	AQ0612LB-A70GL(T)	◎	12	0.07	0.84	2500	0.374	13.20	0.063	1.60	18.1	64
	AQ0612MB-A71GL(T)	◎	12	0.10	1.20	3500	0.510	18.00	0.118	3.00	28.0	
	AQ0612HB-A71GL(T)	◎	12	0.19	2.28	4500	0.708	25.00	0.188	4.78	36.9	
	AQ0612UB-A71GL(T)	◎	12	0.26	3.12	5000	0.765	27.00	0.230	5.84	40.0	
	AQ0624HB-A70GL(T)	◎	24	0.12	2.88	4500	0.708	25.00	0.188	4.78	36.9	
	AQ0624UB-A71GL(T)	◎	24	0.14	3.36	5000	0.765	27.00	0.230	5.84	40.0	

Specifications subject to change without notice.



\*Motor protective circuit and third lead wire functions

0	1	2	3	4	6	7	8	9	A	B
✓	✓	✓	✓		✓					

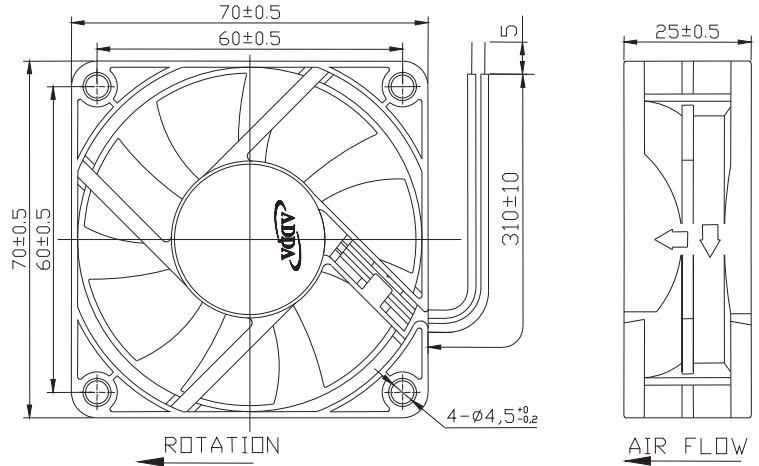
\*Safety approvals

				✓



# AQ7025 SERIES

## External Dimensions



Frame:Plastic(UL:94V-0)  
 Impeller:Plastic(UL:94V-0)  
 Lead wire:UL1007AWG24

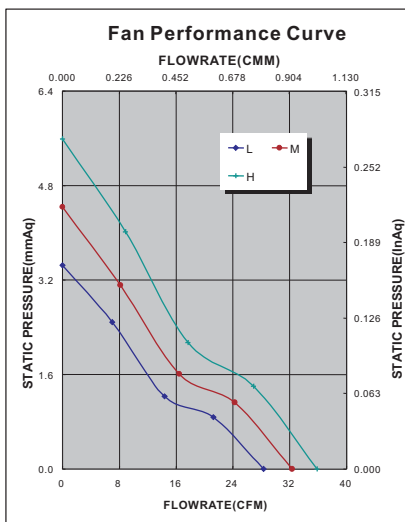
## Specifications(Nominal)

\*:Noise is measured at the distance of one (1) meter from the axis of intake.

Bearing type: ◎=Ball ※=Sleeve ○=1B1S ●=Hypro bearing

Frame size (mm)	Model No.	Bearing System Type	Rated Voltage (VDC)	Current (A)	Power (W)	Rated Speed (rpm)	Maximum AirFlow (CMM)	Maximum AirFlow (CFM)	Maximum Pressure (InAq)	Maximum Pressure (mmAq)	*Noise Level (dB/A)	Weight (g)
70x70x25	AQ0712LB-A70GL(T)	◎	12	0.10	1.20	3300	0.798	28.20	0.150	3.81	31.6	61.0
	AQ0712MB-A70GL(T)	◎	12	0.12	1.44	3800	0.914	32.30	0.176	4.47	33.6	
	AQ0712HB-A70GL(T)	◎	12	0.18	2.16	4200	1.005	35.50	0.217	5.51	38.0	

Specifications subject to change without notice.



\*Motor protective circuit and third lead wire functions

0	1	2	3	4	6	7	8	9	A	B
✓					✓					

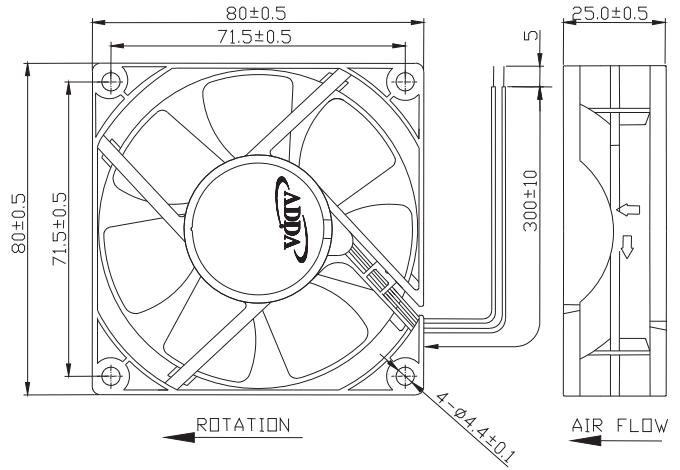
\*Safety approvals

				✓



# AQ8025 SERIES

## External Dimensions



Frame:Plastic(UL:94V-0)  
 Impeller:Plastic(UL:94V-0)  
 Lead wire:UL1007AWG24

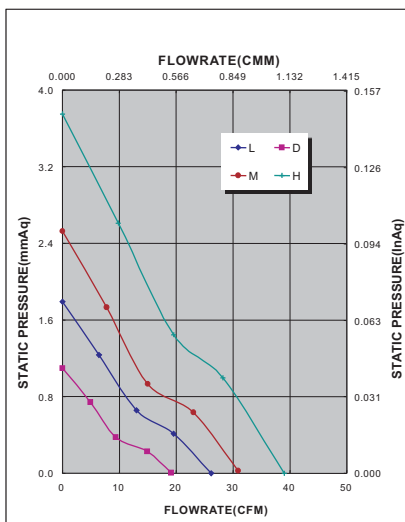
## Specifications(Nominal)

\*:Noise is measured at the distance of one (1) meter from the axis of intake.

Bearing type: ◎=Ball ※=Sleeve ○=1B1S ●=Hypro bearing

Frame size (mm)	Model No.	Bearing System Type	Rated Voltage (VDC)	Current (A)	Power (W)	Rated Speed (rpm)	Maximum AirFlow (CMM)	Maximum AirFlow (CFM)	Maximum Pressure (InAq)	Maximum Pressure (mmAq)	*Noise Level (dB/A)	Weight (g)
80x80x25	AQ0812LB-A70GL(T)	◎	12	0.08	0.96	2100	0.781	27.60	0.078	1.98	22.5	82.0
	AQ0812MB-A70GL(T)	◎	12	0.12	1.44	2500	0.877	31.00	0.102	2.59	26.9	
	AQ0812HB-A70GL(T)	◎	12	0.24	2.88	3100	1.092	38.60	0.148	3.75	33.0	
	AQ0824LB-A70GL(T)	◎	12	0.04	0.96	2100	0.740	26.16	0.072	1.79	22.5	
	AQ0824MB-A70GL(T)	◎	24	0.07	1.68	2500	0.877	31.00	0.102	2.59	26.9	
	AQ0824HB-A70GL(T)	◎	24	0.10	2.40	3100	0.877	38.60	0.148	3.75	33.0	

Specifications subject to change without notice.



\*Motor protective circuit and third lead wire functions

0	1	2	3	4	6	7	8	9	A	B
✓					✓					

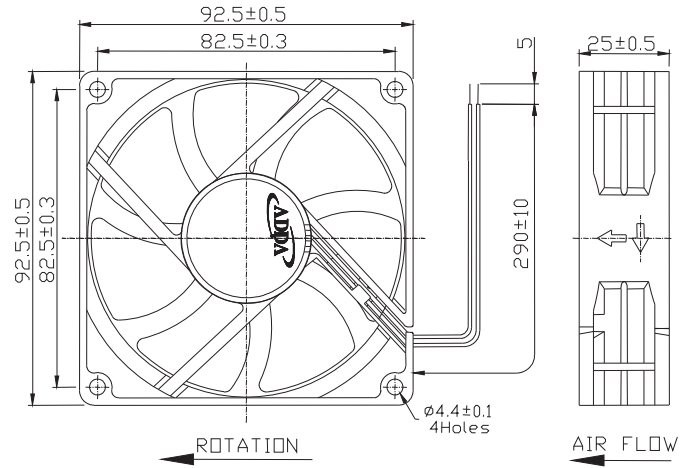
\*Safety approvals

✓	✓		✓	✓



# AQ9225 SERIES

## External Dimensions



Frame:Plastic(UL:94V-0)  
 Impeller:Plastic(UL:94V-0)  
 Lead wire:UL1007AWG24

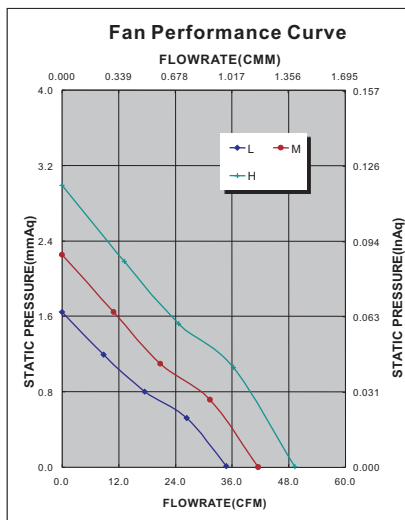
## Specifications(Nominal)

\*Noise is measured at the distance of one (1) meter from the axis of intake.

Bearing type: ◎=Ball ※=Sleeve ○=1B1S ●=Hypro bearing

Frame size (mm)	Model No.	Bearing System Type	Rated Voltage (VDC)	Current (A)	Power (W)	Rated Speed (rpm)	Maximum AirFlow (CMM)	Maximum AirFlow (CFM)	Maximum Pressure (InAq)	Maximum Pressure (mmAq)	*Noise Level (dB/A)	Weight (g)
92x92x25	AQ0912LB-A70GL(T)	◎	12	0.11	1.32	2050	0.984	36.00	0.063	1.65	25.0	103.0
	AQ0912MB-A70GL(T)	◎	12	0.15	1.80	2400	1.175	43.50	0.092	2.25	31.3	
	AQ0912HB-A70GL(T)	◎	12	0.24	2.88	2900	1.485	52.50	0.133	3.37	35.0	

Specifications subject to change without notice.



\*Motor protective circuit and third lead wire functions

0	1	2	3	4	6	7	8	9	A	B
✓					✓					

\*Safety approvals

			✓	✓



# WORLDWIDE SERVICE

## ■ **Group Administration & Fan International Sales Office**

35FL, No.38, Singuang Road, Ling Ya District, Kaohsing, Taiwan, R.O.C.  
Tel: 07-2695166 Fax: 07-2695199  
e-mail: adda@adda.com.tw

## ■ **Taipei Fan Domestic Sales Office**

(Taipei, Taiwan)  
9FL-6, No.81, Hsin-Tai 5th Road Secl, His-Chin, Taipai, Taiwan  
Tel: 886-2-2698-0277 Fax: 886-2-2698-0295  
e-mail: addatpe@adda.com.tw

## ■ **Taipei Fan Domestic RD II Office**

(Taipei, Taiwan)  
3FL-2, No.81, Hsin-Tai 5th Road Secl, His-Chin, Taipai, Taiwan  
Tel: 886-2-8698-4160  
Fax: 886-2-8698-4222  
e-mail: addatpe@adda.com.tw

## ■ **Taipei Thermal Department**

(Taipei, Taiwan)  
11FL No.800, Chung-Chang Road, Chung-Hoi, Taipai, Taiwan  
Tel: 886-2-8221-2252 Fax: 886-2-2221-8694  
e-mail: addath@adda.com.tw

## ■ **FACTORY RD I**

(PingTung, Taiwan)  
No.6, East Section Industrial 6 Road, PingTung  
Tel: 886-8-7550579  
Fax: 886-8-7532815  
e-mail: adda@adda.com.tw

## ■ **ADDA Corp**

(Hong Kong)  
Unit 1017, Nan fung Centre, 264 Castle  
Peak Road, Tsuen Wan, HongKong  
Tel: 852-24158608 Fax: 852-24023078  
e-mail: service@addacorp.com.hk

## ■ **ADDA Electronic Machinery Technology (Kun Shan) Co.,Ltd**

(Kun Shan, China)  
No.88 Jiang Feng Road, Zhang-Pa, Kun Shan, China  
Tel: 86-512-57451127 Fax: 86-512-57451146  
e-mail: addasw@adda.com.cn

## ■ **ADDA Electronic Machinery Technology (ADDA Green Factory) Co.,Ltd**

(China)  
No.88 Jiang Feng Road, Zhang-Pa, Kun Shan, China  
Tel: 86-512-57273210~2 Fax: 86-512-57273838  
e-mail: addaks@adda.com.cn

## ■ **ADDA Sheen Point Trading Limited Co.**

(Fan -Shenzhen, China)  
10 Building, Wanfeng 3th, Industrial District, Baoan, Shenzhen, China  
Tel: 86-755-27230764 Fax: 86-755-27230641  
e-mail: addasw@adda.com.cn

## ■ **ADDA Gao Jing Electrical.(Shen Zhen) Co. Ltd**

(Thermal, ShenZhen China)  
98 Industrial City, Wanfeng, Baoan, Shen Zhen, China  
Tel: 86-755-29851308 Fax: 86-755-29851108  
e-mail: addagv@adda.com.cn

2008 Dec.

This publication could technical inaccuracies or typographical errors.

The contents are subject to change without prior notice.

© Copyright 2008 ADDA Corporation. All Rights Reserved.